

Presence detector - Professional Line

IR Quattro HD 24m

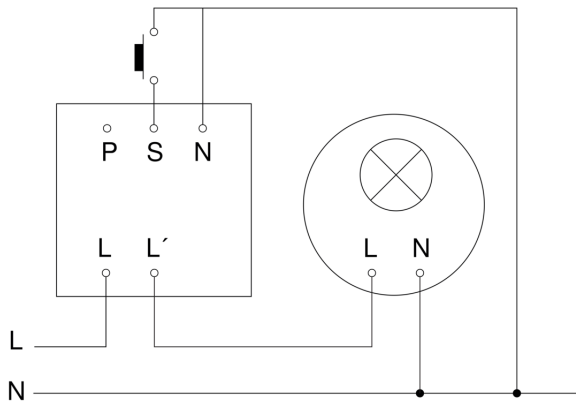
COM1 - surface white
EAN 4007841 592400
Article number 592400



IR Quattro HD 24m

COM1 - surface white
EAN 4007841 592400
Article number 592400

Master circuit diagram



Master/master interconnection circuit diagram



IR Quattro HD 24m

COM1 - surface white
EAN 4007841 592400
Article number 592400

Master/slave interconnection circuit diagram

